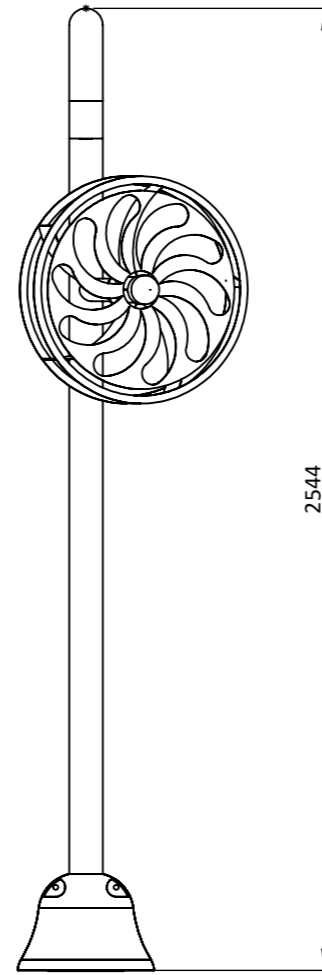
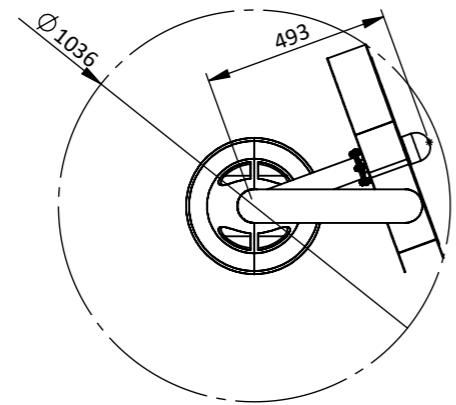


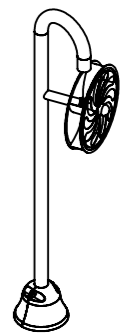
Front
Scale 1:20




Right
Scale 1:20



Top
Scale 1:20



PROJECT Water Play		Materials : STEEL	Finish :	Qty : 1	Weight(Kg.):	Unless Otherwise Stated: Linear Tol: ± 0.2 Angular Tol: $0^{\circ}15'$ Surface Finish: $0.8\mu m$ All Dimensions: mm
Customer :		Part Name : Water Turbine				 K 2 J 12/299 The Point Citi Changwatana Soi 15, Puppar Rd., Barmoi, Pakkret, Nonthaburi, 11120 www.k2jdesign.com
Projection Method: THIRD ANGLE	Sheet Size: A3	Part Number: WT-00	Date: 26/11/2020	Page No.:		
Design by:		Revision: 0				
<small>This drawing and any information or descriptive material set out on it are the confidential and copyright property of K2J Company Limited. © and MUST NOT BE DISCLOSED, COPIED, LOANED in whole or part or used for any purpose without the written permission of K2J Company Limited.</small>						