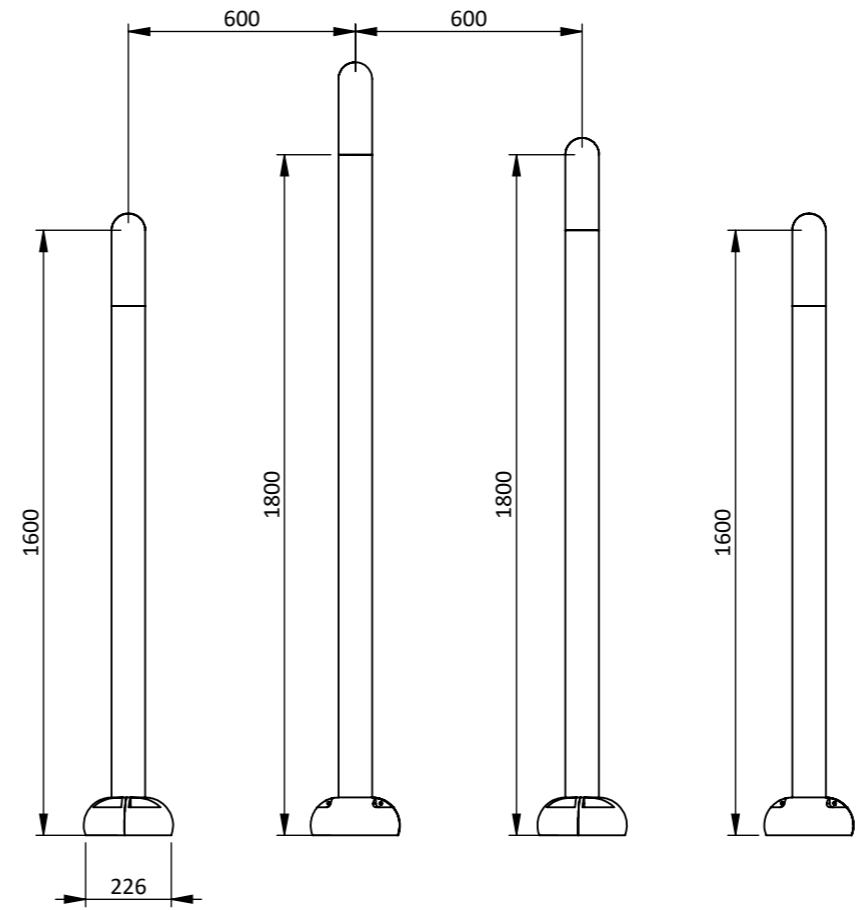
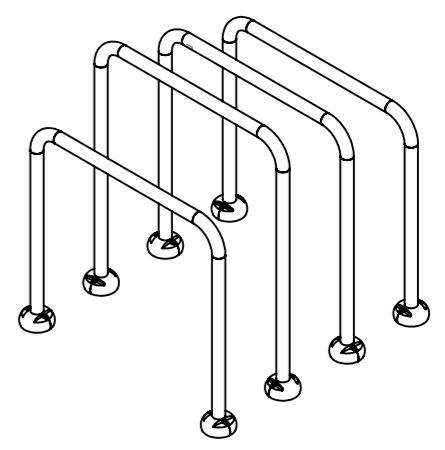
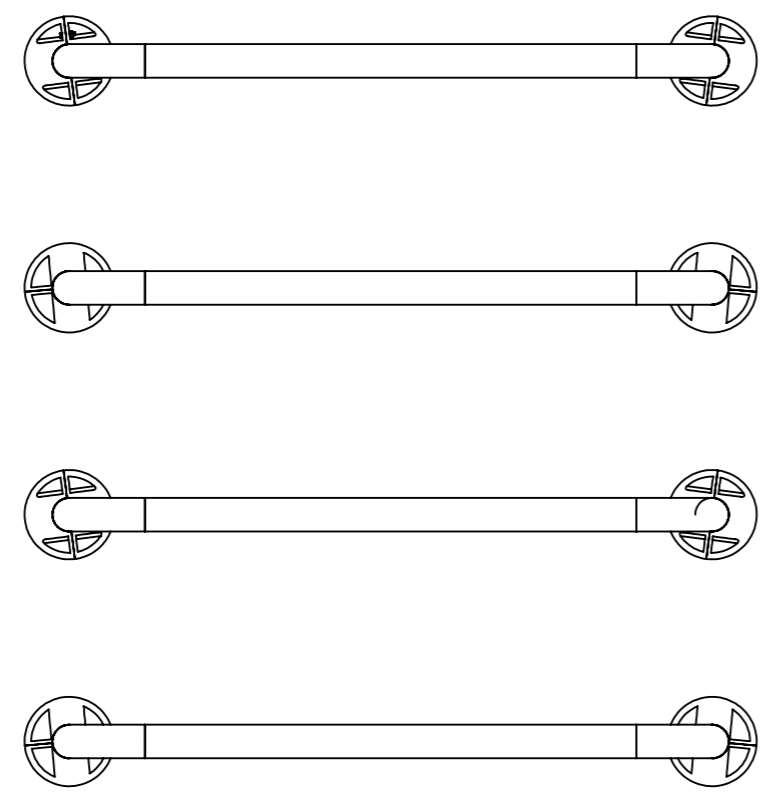



Front
Scale 1:20



Right
Scale 1:20



PROJECT Water Play		Materials : STEEL	Finish :	Qty : 1	Weight(Kg.):	Unless Otherwise Stated: Linear Tol: ± 0.2 Angular Tol: $0^{\circ}15'$ Surface Finish: 0.8um All Dimensions: mm
Customer :		Part Name : Pillar of Water				
Projection Method: THIRD ANGLE	Sheet Size: A3	Part Number: PW-00	Date: 26/11/2020	Page No.:		 K 2 J 12/299 The Pearl City Changwafangta Sol 15, Poplar Rd., Barmal, Pakrol, Noronobut, 11120 www.k2jdesign.com
Design by:		Revision: 0		Page No.:		

This drawing and any information or descriptive material set out on it are the confidential and copyright property of K2J Company Limited. © and MUST NOT BE DISCLOSED, COPIED, LOANED in whole or part or used for any purpose without the written permission of K2J Company Limited.